



# ASSEMBLY INSTRUCTIONS

## HARLEY-DAVIDSON "BASIC" LICENCE PLATE BRACKET FOR 2021-LATER SPORTSTER S

LPB-SP21-B  
LPB-N-SP21-B

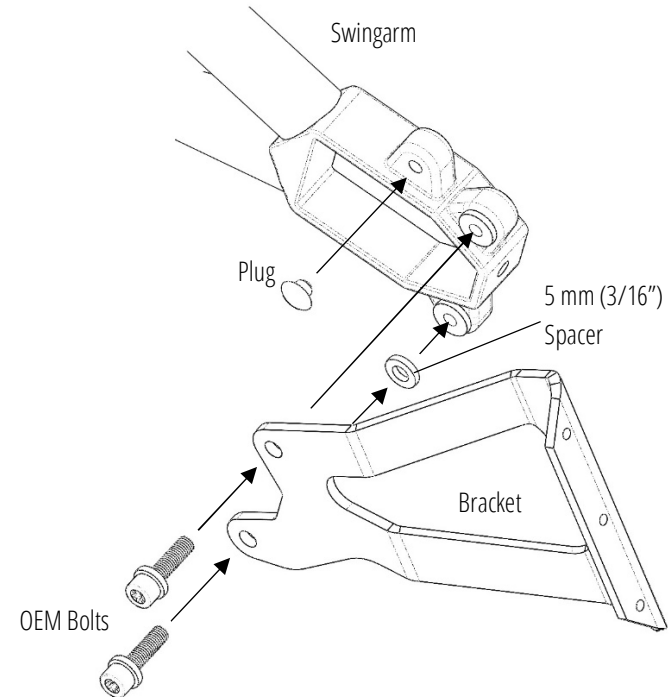


For questions pertaining to the installation of this product, please contact our Killer Custom technical department at [info@killercustom.com](mailto:info@killercustom.com). This product is manufactured in Europe by Killer Custom

**NOTE:** Killer Custom assumes no responsibility or liability for damage or injury of any kind arising out of the use or misuse of any products.

1. Check all clearances before, during and after installation. Warning: check the fitment of all parts before painting!
2. Remove the OEM license plate holder from your motorcycle. Note that you have to rebuild the license plate lightning wiring.

3. Put your new license plate bracket on your motorcycle as shown on the diagram below.



4. Use the thread locker glue (not included) for all treaded connections and the installation is complete.
5. For rebuilding the wiring, you will need to find the six-pin connector under the left side cover. Connect the license plate wiring to the Tail light (+) Blue wire and to the Ground (-) Black wire. Rear light wiring color for DIY:

Function	Pin Number	Motorcycle's side
Right Turn	1	Brown
Brake	2	Blue/Orange
Ground	3	Black
Ground	4	Black
Tail light	5	Blue
Left Turn	6	Blue/White

6. After the installation make a test drive to be sure everything is working perfectly.

**NOTE:** Installation of this kit requires detailed knowledge of the motorcycle model and mechanics. It is assumed that the installer has access to the proper tools and a working knowledge of them, and factory service manuals.

[WWW.KILLERCUSTOM.COM](http://WWW.KILLERCUSTOM.COM)